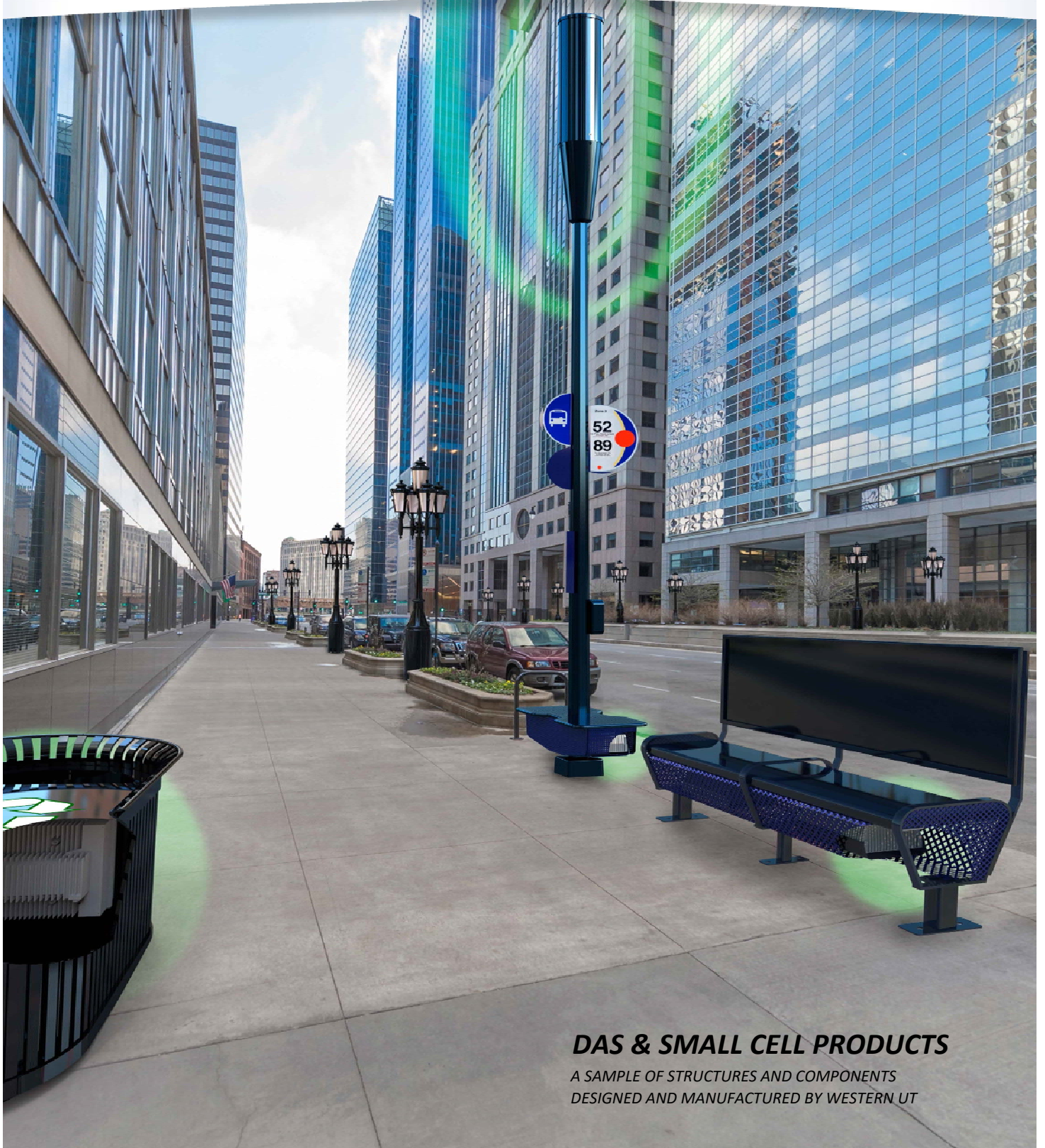




Experienced. Reliable. Innovative.



DAS & SMALL CELL PRODUCTS

*A SAMPLE OF STRUCTURES AND COMPONENTS
DESIGNED AND MANUFACTURED BY WESTERN UT*

FDP-SAL

Fluted Decorative Pole with Single Acorn Light

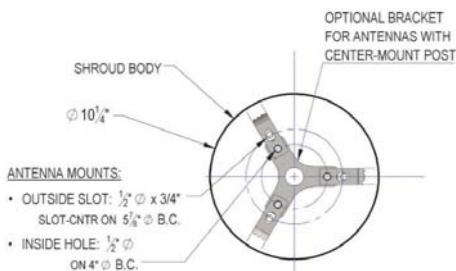
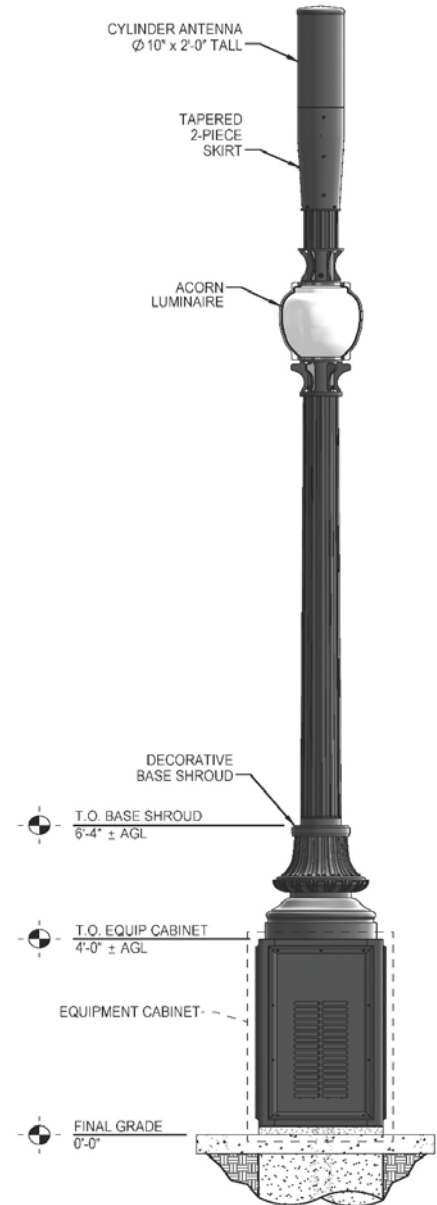
Design Features:

- Designed for pole top cylinder antennas
- Accommodates splitters and cable management below antenna
- Includes PIM reduction coating on antenna mount
- Removable 2-piece tapered skirt below antenna mount
- Mount provides rotatability and antenna leveling
- Galvanized, power coat, or concrete textured finishes
- Optional decorative pole base shroud available
- Optional base cabinet for housing radio equipment

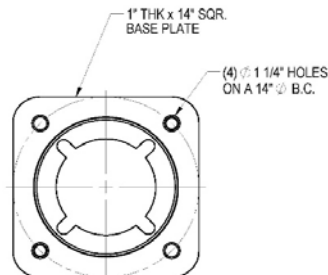
General Design Criteria:

- V_{asd} (3-Sec. Gust) = 110 mph
- V_{ult} (3-Sec. Gust) = 143 mph
- Exposure = C
- Structure Class/Risk Category = II
- Topographic Category = 1

Product No.	Pole Ht., H
FDP-SAL 18	18 ft.
FDP-SAL 20	20 ft.
FDP-SAL 22	22 ft.
FDP-SAL 24	24 ft.
FDP-SAL 26	26 ft.
FDP-SAL 28	28 ft.



TYP. ANTENNA MT.



BASE PLATE

FDP-DGL
Fluted Decorative Pole with Dual Globe Light

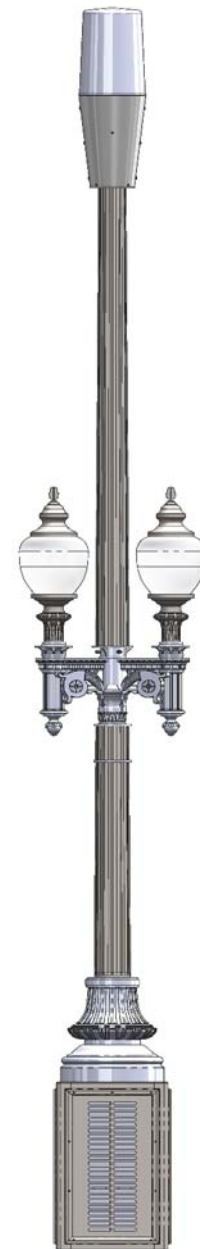
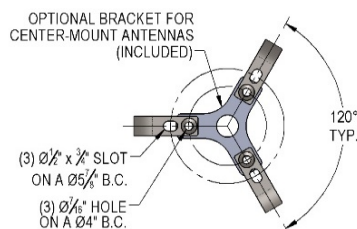
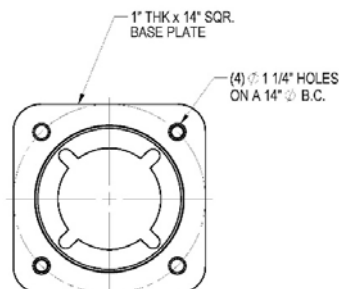
Design Features:

- Designed for pole top cylinder antennas
- Accommodates splitters and cable management below antenna
- Includes PIM reduction coating on antenna mount
- Removable 2-piece tapered skirt below antenna mount
- Mount provides rotatability and antenna leveling
- Galvanized, power coat, or concrete textured finishes
- Optional decorative pole base covers available
- Optional base cabinet for housing radio equipment

General Design Criteria:

- | | |
|---------------------------------|---------|
| • V_{asd} (3-Sec. Gust) = | 110 mph |
| • V_{ult} (3-Sec. Gust) = | 143 mph |
| • Exposure | C |
| • Structure Class/Risk Category | II |
| • Topographic Category | 1 |

Product No.	Pole Ht.
FDP-DGL 18	18 ft.
FDP-DGL 20	20 ft.
FDP-DGL 22	22 ft.
FDP-DGL 24	24 ft.
FDP-DGL 26	26 ft.
FDP-DGL 28	28 ft.


ELEVATION VIEW

TYP. ANTENNA MT.

BASE PLATE

DAP-SGL

Decorative Antenna Pole with Single Globe Light (16033)

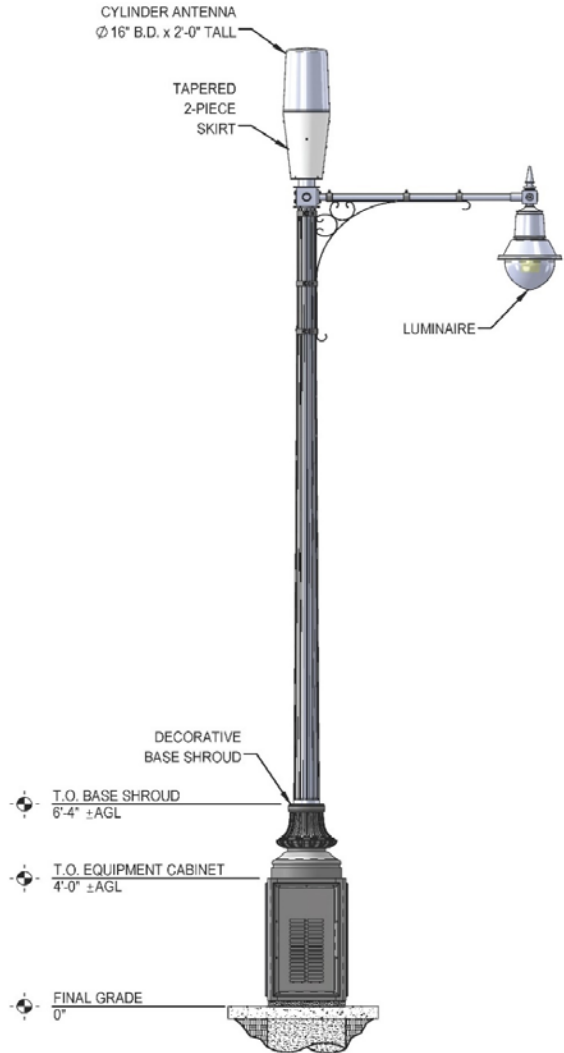
Design Features:

- Designed for pole top cylinder antennas
- Area for splitters and cable management below antenna
- Includes PIM reduction coating on antenna mount
- Removable 2-piece tapered skirt below antenna mount
- Mount provides rotatability and antenna leveling
- Galvanized, power coat, or concrete textured finishes
- Optional decorative pole base shroud available
- Optional base cabinet for housing radio equipment

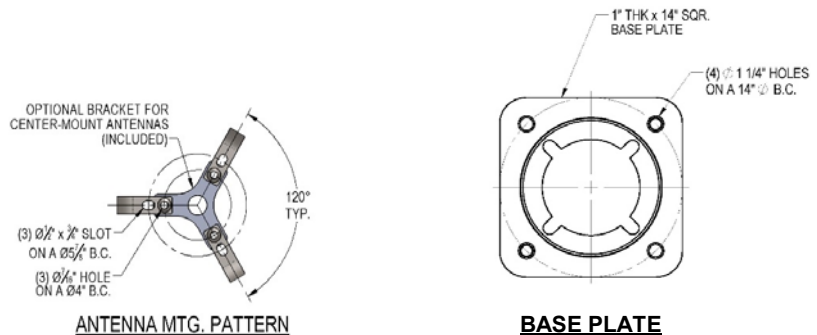
General Design Criteria:

- V_{asd} (3-Sec. Gust) = 110 mph
- V_{ult} (3-Sec. Gust) = 143 mph
- Exposure = C
- Structure Class/Risk Category = II
- Topographic Category = 1

Product No.	Pole Ht., H
DAP-SGL 18	18 ft.
DAP-SGL 20	20 ft.
DAP-SGL 22	22 ft.
DAP-SGL 24	24 ft.
DAP-SGL 26	26 ft.
DAP-SGL 28	28 ft.



ELEVATION VIEW



ANTENNA MTG. PATTERN

BASE PLATE

CASLP-xx

Cylinder Antenna Street Light Pole

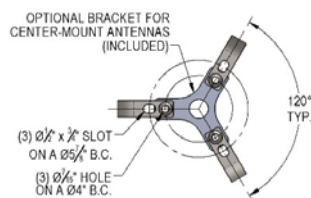
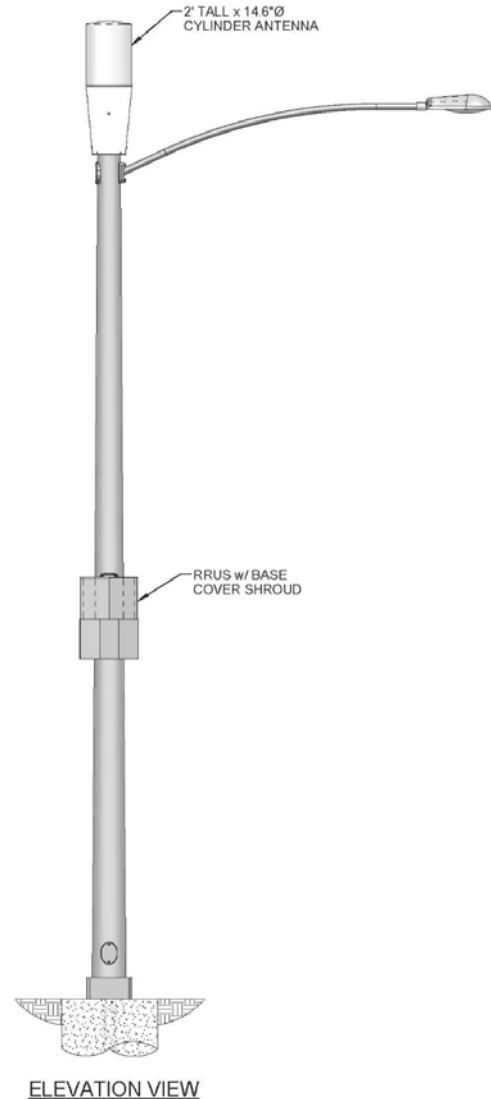
Design Features:

- Designed for pole top cylinder antennas
- Accommodates splitters and cable management below antenna
- Includes PIM reduction coating on antenna mount
- Removable 2-piece tapered skirt below antenna mount
- Mount provides rotatability and antenna leveling
- Light arm lengths available in a variety of lengths
- Galvanized, power coat, or concrete textured finishes
- Optional decorative base covers available

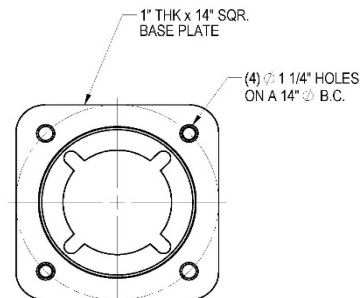
General Design Criteria:

- V_{asd} (3-Sec. Gust) = 110 mph
- V_{ult} (3-Sec. Gust) = 143 mph
- Exposure C
- Structure Class/Risk Category II
- Topographic Category 1

Product No.	Pole Ht.
CASLP-24	24 ft.
CASLP-26	26 ft.
CASLP-28	28 ft.
CASLP-30	30 ft.
CASLP-32	32 ft.
CASLP-34	34 ft.



TYP. ANTENNA MT.



BASE PLATE

PBC-ST
Square Tapered Pole Base Cabinet (ID-636)

Design Features:

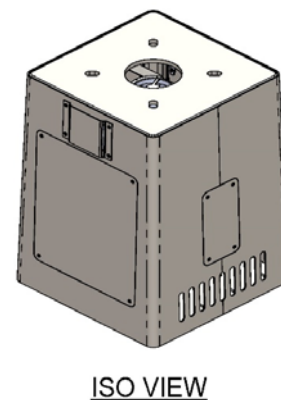
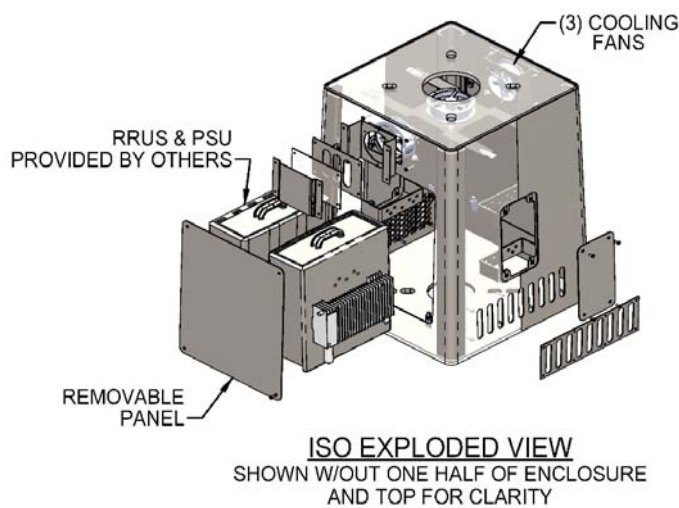
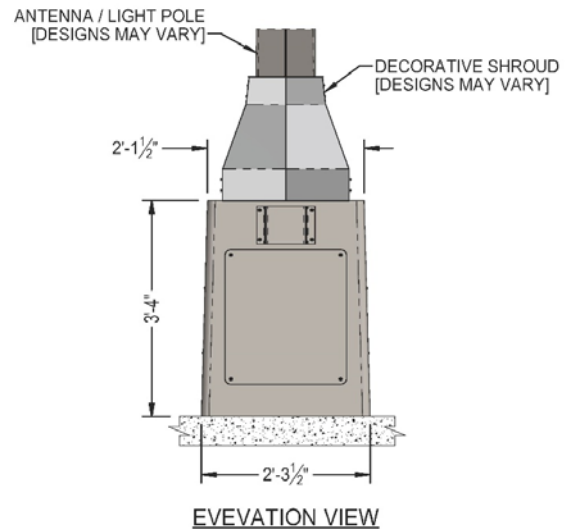
- Designed for RRU equipment with power supply units
- (3) cooling fans provided for adequate cooling of equipment
- Accommodates typical street light poles (11½" to 12½" BC)
- Removable panels for equipment installation & mounting
- Screened vents to minimize insect intrusion
- 6½" dia. openings top & bottom for cable routing
- Optional paint or powder coat finish available

General Design Criteria:

- V_{asd} (3-Sec. Gust) = 110 mph
- V_{ult} (3-Sec. Gust) = 143 mph
- Exposure C
- Structure Class/Risk Category II
- Topographic Category 1

Mechanical Information:

- Height (in.) 40.0
- Top width (in.) 25.5
- Base width (in.) 27.5
- Cabinet weight without equip. (lbs.) 580



PBC-S
Square Pole Base Cabinet (PR-165)

Design Features:

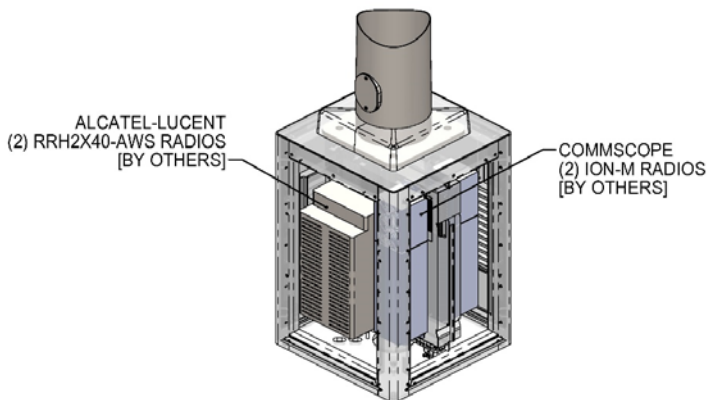
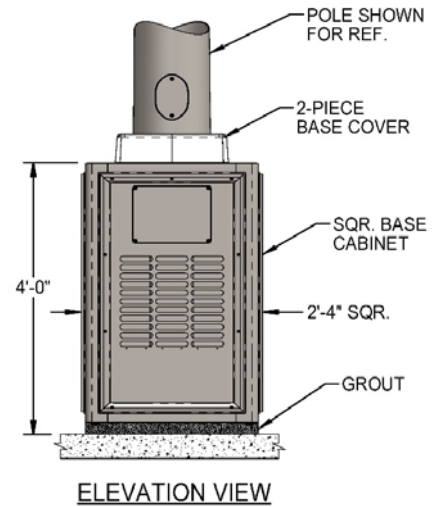
- Designed for RRU equipment with power supply units
- Accommodates typical street light poles (11½" to 12½" BC)
- Removable panels for equipment installation & mounting
- Screened vents to minimize insect intrusion
- 6½" dia. openings top & bottom for cable routing
- Optional paint or powder coat finish available

General Design Criteria:

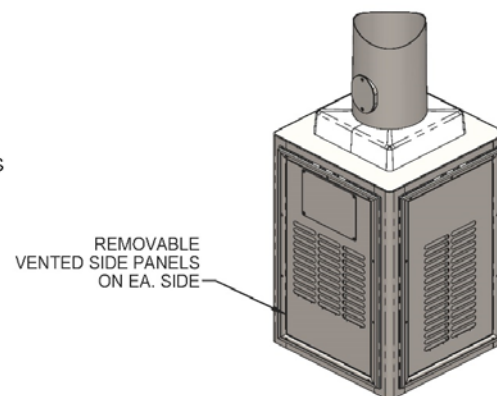
- V_{asd} (3-Sec. Gust) = 110 mph
- V_{ult} (3-Sec. Gust) = 143 mph
- Exposure C
- Structure Class/Risk Category II
- Topographic Category 1

Mechanical Information:

- Height (in.) 48.0
- Top width (in.) 28
- Base width (in.) 28
- Cabinet weight without equip. (lbs.) 605



ISO VIEW DETAIL
(FRONT & SIDE PANELS HIDDEN FOR CLARITY)



ISO VIEW

TMwCSTS

Top Mount w/ Concealment Shroud and Tapered Skirt (ID-508)

Design Features:

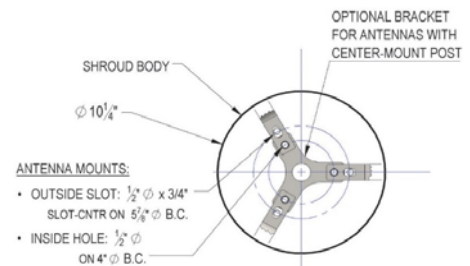
- Designed in accordance with ANSI/TIA-222-Rev. G
- Accommodates Amphenol, Commscope, and Kathrein cylinder antenna systems
- Area for splitters and cable management below antenna
- Mount provides antenna rotatability and leveling
- Includes PIM reduction coating on antenna mount
- Removable 2-piece tapered skirt below antenna mount
- Painting for concealment shroud and skirt available

General Design Criteria:

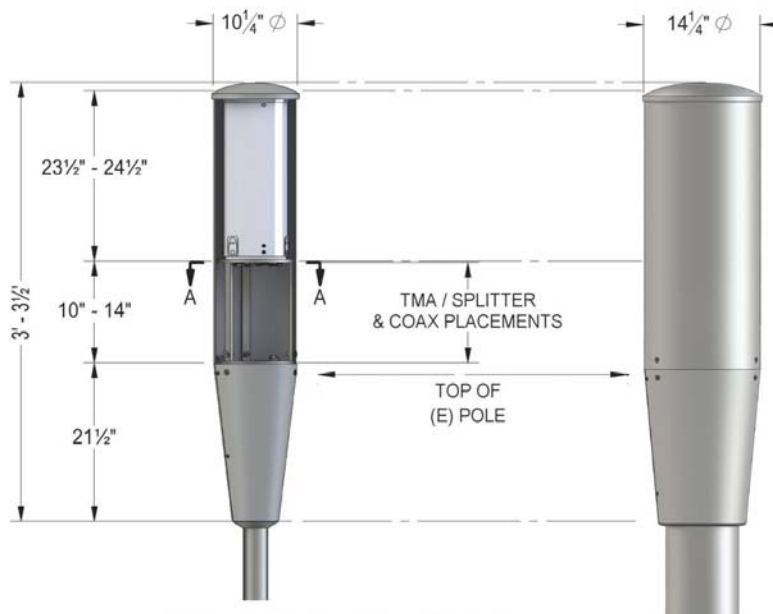
- V_{asd} (3-Sec. Gust) = 110 mph
- V_{ult} (3-Sec. Gust) = 143 mph
- Exposure C
- Structure Class/Risk Category II
- Topographic Category 1

Mechanical Information:

- EPA w/ 10½" dia. Top Mount (sq. ft.) 1.85
- EPA w/ 14.6" dia. Top Mount (sq. ft.) 2.55
- Weight of 10½" w/o antennas (lbs.) 50
- Weight of 14½" w/o antennas (lbs.) 65



SECTION A-A



ELEVATION VIEW

10½" & 14½" Ø Versions Shown

WPSM-H33

Horizontal Side Arm Mount for Wood Poles (ID-656)

Design Features:

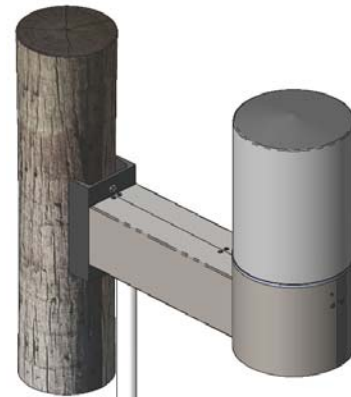
- Designed for canister style antennas up to 4' tall
- Removable arm shroud for equipment and cable access
- Rotatable antenna mount for desired azimuth
- Fits center mount style antennas with included adapter
- Includes PIM reduction coating on antenna bracket
- Fits wood pole diameters from 8" to 18".
- Accepted by utility companies and strict zoning jurisdictions

General Design Criteria:

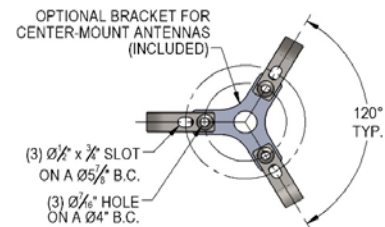
- | | |
|---------------------------------|---------|
| • V_{asd} (3-Sec. Gust) = | 110 mph |
| • V_{ult} (3-Sec. Gust) = | 143 mph |
| • Exposure | C |
| • Structure Class/Risk Category | II |
| • Topographic Category | 1 |

Applied EPA & Forces at Wood Pole:

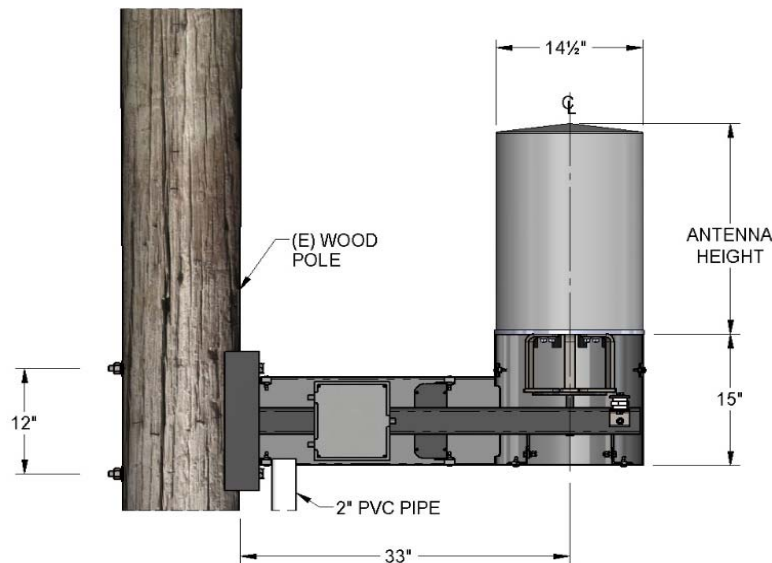
- | | |
|---|------|
| • EPA w/2' x 14.6" dia. antenna (sq. ft.) | 4.00 |
| • EPA w/4' x 14.6" dia. antenna (sq. ft.) | 5.45 |
| • Factored Wind Shear (lbs.) | 165 |
| • Weight without antennas/equip. (lbs.) | 110 |



ISO VIEW



ANTENNA MTG. PATTERN



SPSM-H24

Horizontal Side Arm Mount for Steel Poles (PR-182)

Design Features:

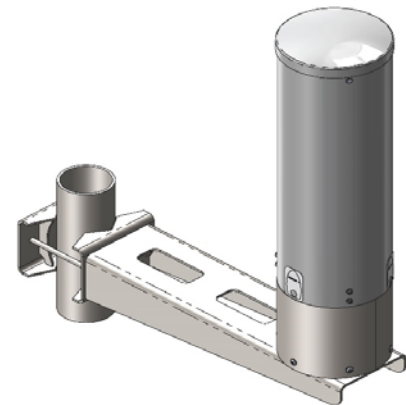
- Designed for Commscope 3X-V65S-G-3XR canister style antennas
- Removable shroud below antenna for cable connector access
- Includes PIM reduction coating on antenna bracket
- 360° rotatability for obtaining desired azimuths
- Fits pole diameters from 1.9" OD to 4" OD.
- Quick deploy solution for aggressive schedules

General Design Criteria:

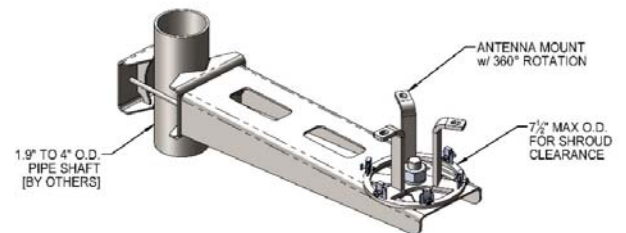
- | | |
|---------------------------------|---------|
| • V_{asd} (3-Sec. Gust) = | 110 mph |
| • V_{ult} (3-Sec. Gust) = | 143 mph |
| • Exposure | C |
| • Structure Class/Risk Category | II |
| • Topographic Category | 1 |

Mechanical Information:

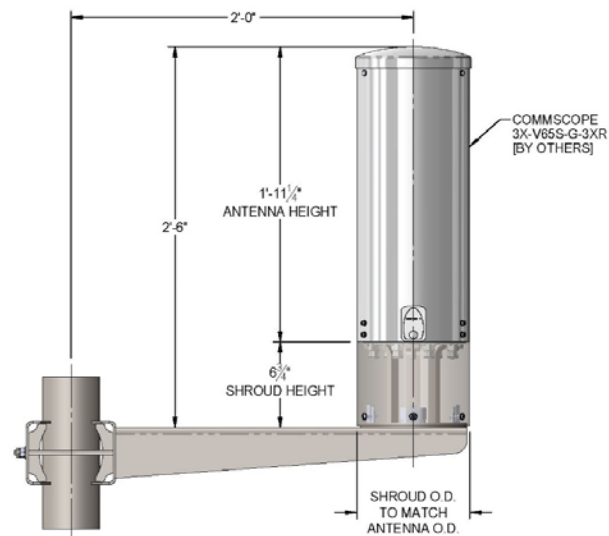
- | | |
|---|------|
| • Effective Projected Area (sq. ft.) | 3.20 |
| • Weight without antennas/equip. (lbs.) | 30 |



ISO VIEW



ISO DETAIL VIEW
(SHROUD & ANTENNA HIDDEN FOR CLARITY)



ELEVATION VIEW

WPSM-H255

Horizontal Side Arm Mount for Wood Poles (PR-226)

Design Features:

- Designed for Commscope 3X-V65S-G-3XR canister style antennas
- 360° rotatability for obtaining desired azimuths
- Quick deploy solution for aggressive schedules
- Includes PIM reduction coating on antenna mount bracket
- Fits pole diameters from 6" OD to 14" OD.
- Bracket may be banded to pole to eliminate field drilling

General Design Criteria:

- | | |
|---------------------------------|---------|
| • V_{asd} (3-Sec. Gust) = | 110 mph |
| • V_{ult} (3-Sec. Gust) = | 143 mph |
| • Exposure | C |
| • Structure Class/Risk Category | II |
| • Topographic Category | 1 |

Mechanical Information:

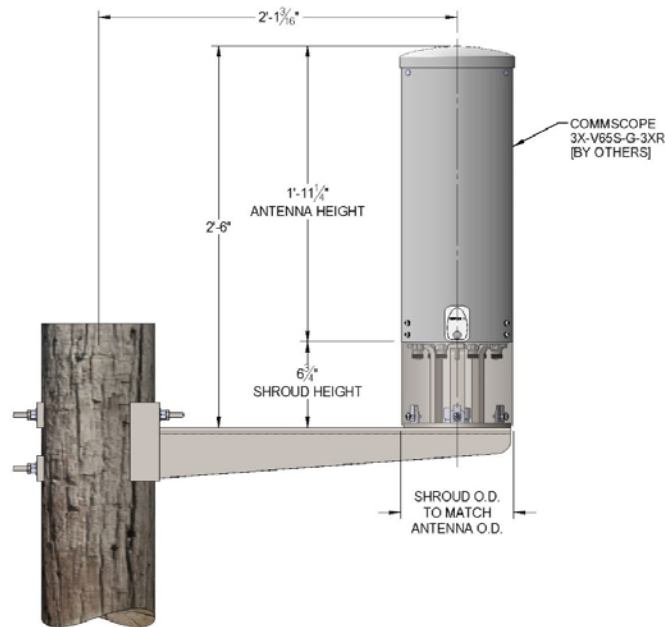
- | | |
|---|------|
| • Effective Projected Area (sq. ft.) | 3.20 |
| • Weight without antennas/equip. (lbs.) | 30 |



ISO VIEW



ISO DETAIL VIEW
(SHROUD & ANTENNA HIDDEN FOR CLARITY)



ELEVATION VIEW

WPTMSC-FRP
FRP Wood Pole Top Mount for Cylinder Antennas (ID-727)
Design Features:

- Includes steel receptacles, cylinder antenna mount, and hardware
- 6" square x 7' tall nonconductive FRP tube mast extension
- Accommodates antenna plumbness and azimuth adjustability
- Provides 7' height extension above existing wood pole
- Fits pole diameters from 8" to 18"
- Hot dip galvanized steel interface components

General Design Criteria:

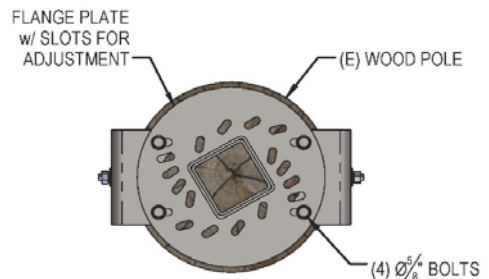
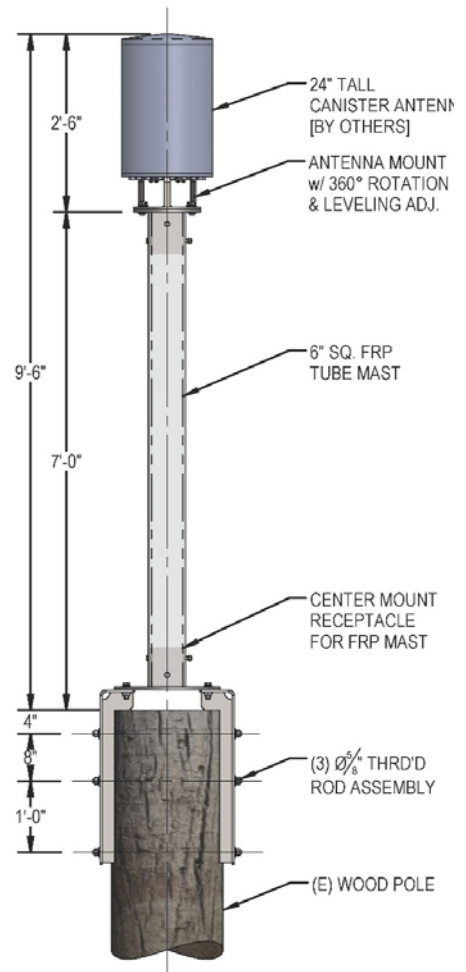
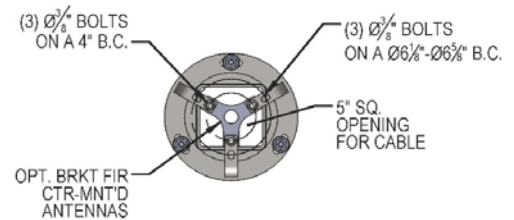
- | | |
|---------------------------------|---------|
| • V_{asd} (3-Sec. Gust) = | 90 mph |
| • V_{ult} (3-Sec. Gust) = | 116 mph |
| • Exposure | C |
| • Structure Class/Risk Category | II |
| • Topographic Category | 1 |

Mechanical Information:

- | | |
|---|-------|
| • Antenna Mounting Pipe OD (in.) | 2.375 |
| • Weight without antennas/equip. (lbs.) | 150 |
| • Effective Projected Area (sq. ft.) | 7.6 |

Applied Forces at top of Wood Pole:

- | | |
|---------------------------------------|-------|
| • Wind Shear (lbs.) | 360 |
| • Wind Moment (ft.-lbs.) | 1,945 |
| • Mount, Antenna, & Equip. Wt. (lbs.) | 200 |



WPTMSC-FRP
FRP Wood Pole Top Mount for Small Cell Panels (PR-173)
Design Features:

- Provides 9½' height extension above existing wood pole
- Includes 2½' panel antenna mounting pipe
- Fits pole diameters from 8" to 18"
- Accommodates mounting up to (3) panel antennas
- 6" square x 7' tall nonconductive FRP tube mast extension
- Hot dip galvanized steel interface components

General Design Criteria:

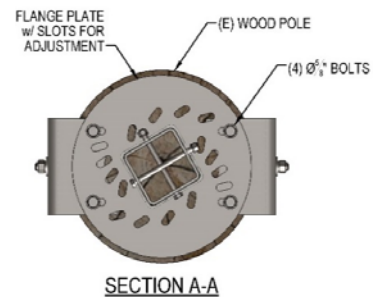
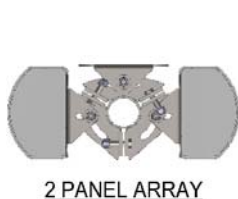
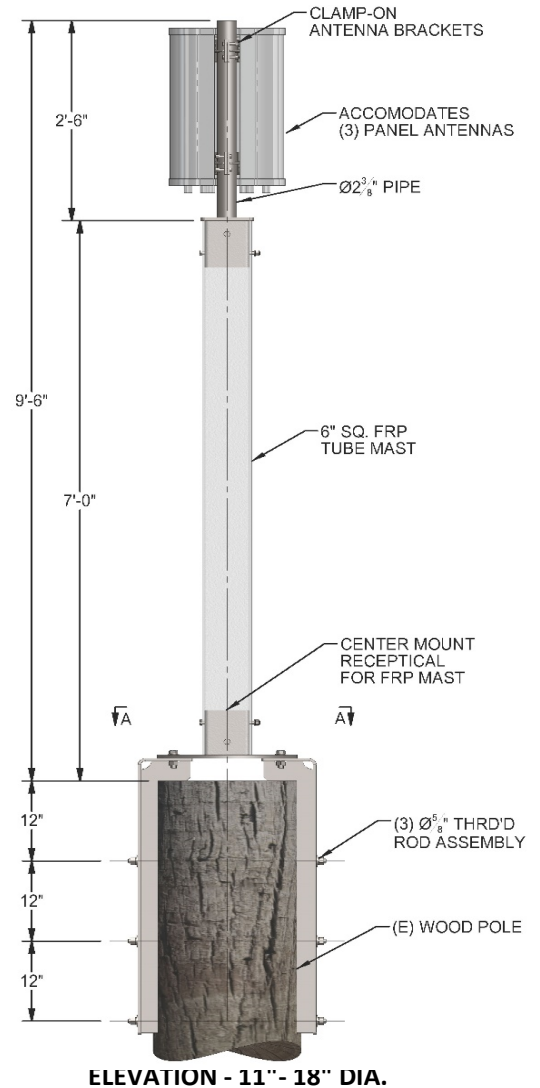
- | | |
|---------------------------------|---------|
| • V_{asd} (3-Sec. Gust) = | 90 mph |
| • V_{ult} (3-Sec. Gust) = | 116 mph |
| • Exposure | C |
| • Structure Class/Risk Category | II |
| • Topographic Category | 1 |

Mechanical Information:

- | | |
|---|-------|
| • Antenna Mounting Pipe OD (in.) | 2.375 |
| • Weight without antennas/equip. (lbs.) | 150 |
| • Effective Projected Area (sq. ft.) | 7.6 |

Applied Forces at top of Wood Pole:

- | | |
|--------------------------|-------|
| • Wind Shear (lbs.) | 280 |
| • Wind Moment (ft.-lbs.) | 1,750 |
| • Mount Weight (lbs.) | 150 |


ANTENNA CONFIGURATIONS

WPM-24x48-FET

Small Faux Electrical Transformer for Wood Poles (PR-180)

Design Features:

- Single panel antenna concealment mounting solution
- Removeable top and bottom for equipment access
- Accepted by utility companies and strict zoning jurisdictions
- Shroud is a single fiberglass tube painted light gray .
- Fits wood pole diameters from 8" to 18".
- Antenna and radio brackets included.

General Design Criteria

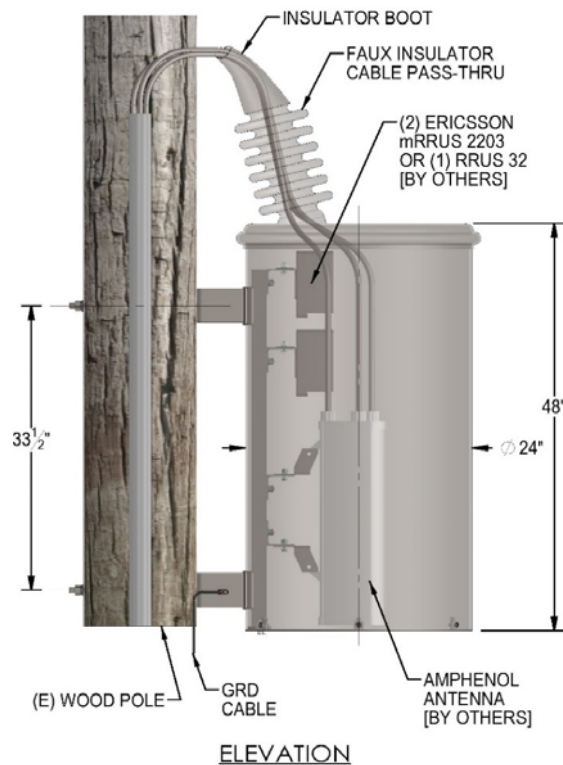
- | | |
|---------------------------------|---------|
| • V_{asd} (3-Sec. Gust) = | 90 mph |
| • V_{ult} (3-Sec. Gust) = | 116 mph |
| • Exposure | C |
| • Structure Class/Risk Category | II |
| • Topographic Category | 1 |

Applied Forces on Wood Pole:

- | | |
|---|-----|
| • Factored Wind Shear (lbs.) | 165 |
| • Weight without antennas/equip. (lbs.) | 150 |



ISO VIEW



ELEVATION

WPM-20x48-FET-3

3-Phase Faux Electrical Transformer for Wood Poles (PR-224)

Design Features:

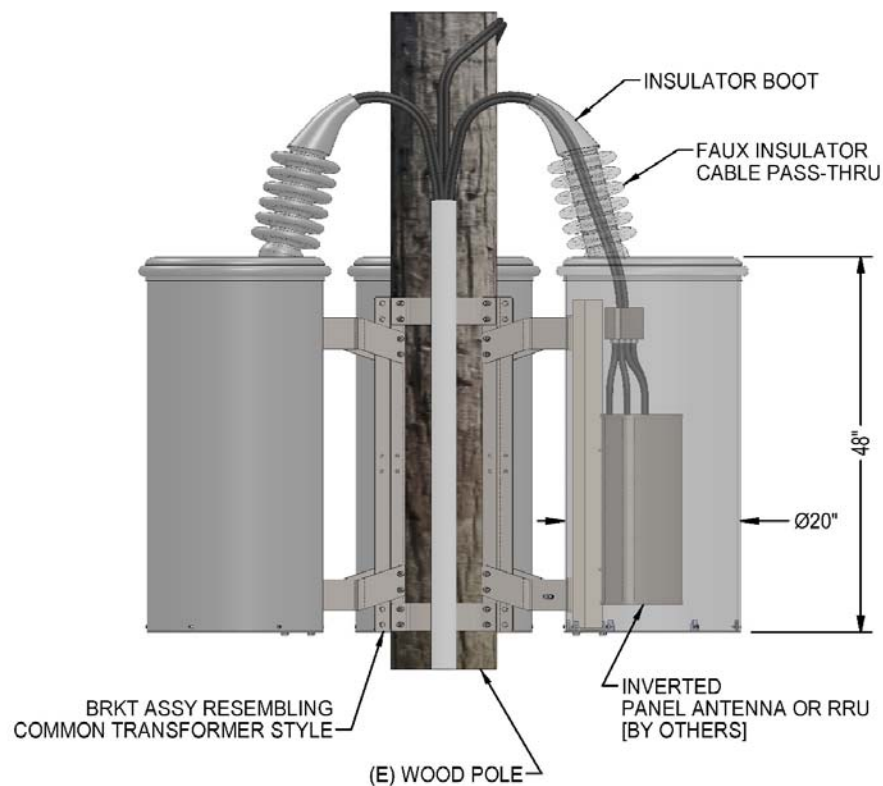
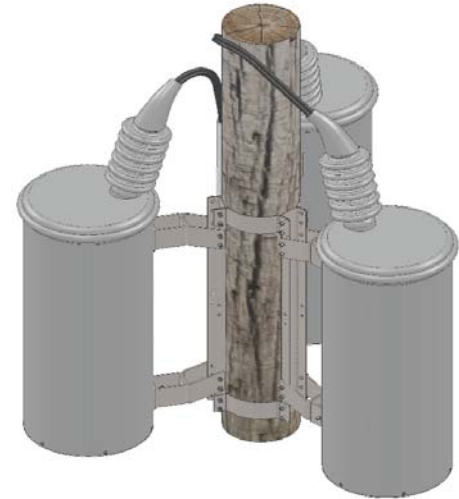
- Small Cell panel antenna & radio concealment mounting solution
- Ideal for bi-directional roadway coverage.
- Removeable top and bottom for equipment access
- Accepted by utility companies and strict zoning jurisdictions
- Shrouds are single-piece fiberglass tubes painted light gray .
- Fits wood pole diameters from 8" to 18".

General Design Criteria

- | | |
|---------------------------------|---------|
| • V_{asd} (3-Sec. Gust) = | 90 mph |
| • V_{ult} (3-Sec. Gust) = | 116 mph |
| • Exposure | C |
| • Structure Class/Risk Category | II |
| • Topographic Category | 1 |

Applied Forces on Wood Pole:

- | | |
|---|-----|
| • Factored Wind Shear (lbs.) | 280 |
| • Weight without antennas/equip. (lbs.) | 255 |

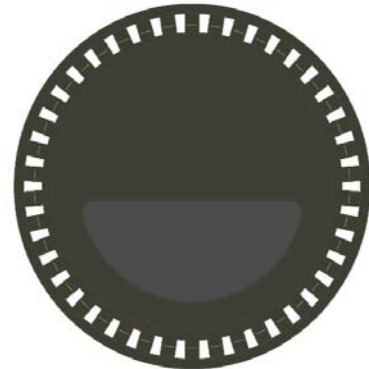


RETB-A

Radio Equipment Trash Bin - Style A (17065)

Design Features:

- Designed for concealing radio equipment
- Accommodates power disconnect and electrical junction boxes
- Includes functional trash receptacle
- Removable separator limits accessibility to radio equipment
- Constructed of powder coated galvanized steel
- Anchors to concrete slab or sidewalks



General Design Criteria:

- V_{asd} (3-Sec. Gust) = 110 mph
- V_{ult} (3-Sec. Gust) = 143 mph
- Exposure C
- Structure Class/Risk Category II
- Topographic Category 1

Mechanical Information:

- Height (in.) 38.5
- Diameter (in.) 28.0
- Weight without equip. (lbs.) 200

